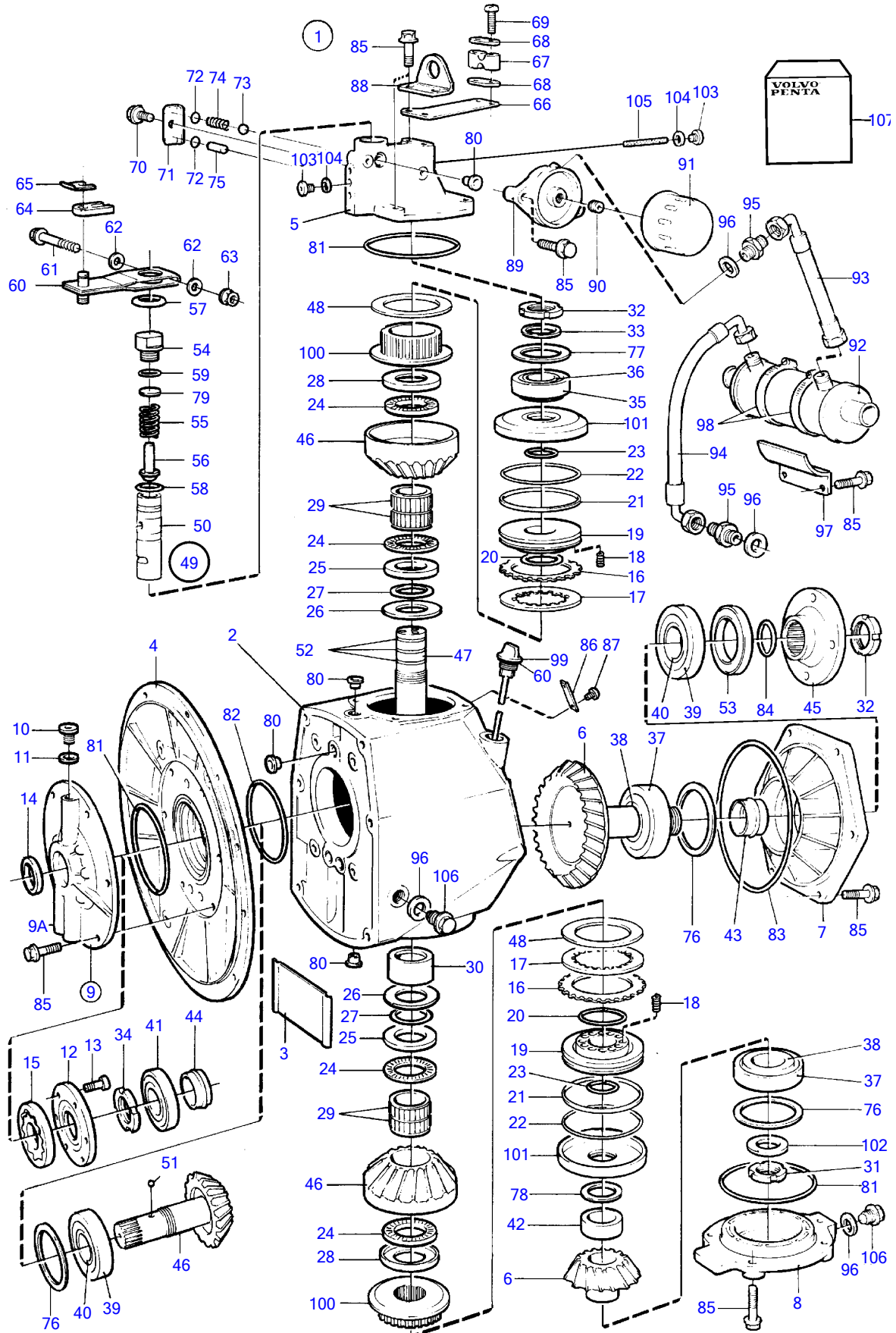


HS1A



23757

## HS1A

REF	PART NO.	QTY	DESCRIPTION	NOTES
1	873171	1	Transmission	Ratio 1.96:1
	3803501	1	Lower gear, exch, exch	Ratio 1.96:1
2	(872500)	1	• Gear housing	Obsolete part
3	872574	1	• Shield	
4	872501	1	• Cardboard tube	
5	872725	1	• Valve housing	
6	872510	1	• Drive gear set	
7	872505	1	• Bearing housing	
8	872506	1	• Bearing housing	
9	3851512	1	• Oil pump	
9A		1	• • Oil pump housing	
10	945065	3	• • Plug	
11	969011	3	• • Gasket	
12		1	• • Lock	
13	942001	6	• • Hex. socket screw	
14	6842273	1	• • Lip seal	Included in gasket kit.
15		1	• • Pump element	
16		14	• Disc	Included in disc kit.
17		16	• Disc	Included in disc kit.
18	872580	26	• Spring	
19	872518	2	• Piston	
20	977891	2	• O-ring	Included in gasket kit., Included in piston ring kit.
21		2	• Piston ring	Included in piston ring kit.
22		2	• O-ring	Included in piston ring kit.
23	872522	2	• Lock ring	
24	184175	4	• Needle roller assemb	
25	184239	2	• Raceway washer	
26	872581	2	• Spring washer	
27	956000	2	• O-ring	Included in gasket kit.
28	872570	2	• Thrust washer	
29	184798	4	• Needle roller assemb	
30	872587	1	• Roller bearing	
31	969072	1	• Round nut	Included in gasket kit.
32	969073	2	• Round nut	Included in gasket kit.
33	872520	1	• Washer	
34	969074	1	• Round nut	Included in gasket kit.
35	181304	1	• Cup	
36	181303	1	• Inner ring	
37	183403	2	• Cup	
38	183649	2	• Inner ring	
39	181036	2	• Cup	
40	184797	2	• Inner ring	
41	183232	1	• Roller bearing	
42	872521	1	• Spacer sleeve	
43	872568	1	• Pretensioning sleeve	
44	872569	1	• Pretensioning sleeve	
45	872523	1	• Flange	
46	872507	1	• Drive gear set	
47	872515	1	• Shaft	
48	872794	2	• Disc spring	
49	872524	1	• Valve	
50		1	• Valve	
51	1521240	1	• Ball	
52		3	• Piston ring	Included in piston ring kit.
53	872701	1	• Sealing ring	Included in gasket kit.
54	872525	1	• Housing	
55	872585	1	• Spring	
56	873519	1	• Service kit	
57	872567	1	• Cardboard tube	
58	977890	1	• O-ring	Included in gasket kit.
59	925058	2	• O-ring	Included in gasket kit.
60	872526	1	• Intermediate lever	
61	955252	1	• Hexagon screw	

7742700-44-605

23757

Upd:2011-09-28

## HS1A

REF	PART NO.	QTY	DESCRIPTION	NOTES
62	940090	2	• Washer	
63	963104	1	• Lock nut	
64	872075	1	• Anchorage	
65	(873265)	1	• E-circlip	Obsolete part
66	872528	1	• Bracket	
67	872074	1	• Retainer	
68	872076	2	• Washer	
69	956083	2	• Cross recessed screw	
70	967949	1	• Flange screw	
71	872529	1	• Cardboard tube	
72	955983	2	• O-ring	Included in gasket kit.
73	183801	1	• Ball	
74	872586	1	• Spring	
75	184796	1	• Needle roller	
76	977913	X	• Shim	TH=0.10mm
	977914	X	• Shim	TH=0.15mm
	977915	X	• Shim	TH=0.35mm
77	977910	X	• Shim	TH=0.10mm
	977911	X	• Shim	TH=0.15mm
	977912	X	• Shim	TH=0.35mm
78	978912	X	• Shim	TH=0,30mm
	(977909)	X	• Shim	Obsolete part, TH=0.35mm
	978913	X	• Shim	TH=0,40mm
	978914	X	• Shim	TH=0,45mm
	978915	X	• Shim	TH=0,50mm
	978916	X	• Shim	TH=0,55mm
79	978917	X	• Shim	TH=0,50mm
80	422413	11	• Sealing ring	Included in gasket kit.
81	925263	3	• O-ring	Included in gasket kit.
82	925260	1	• O-ring	Included in gasket kit.
83	948866	1	• O-ring	Included in gasket kit.
84	949659	1	• O-ring	Included in gasket kit.
85	947760	28	• Flange screw	
86		1	• Sign	
87	950885	2	• Drive screw	
88		1	• Lifting eye	
89	872605	1	• Bracket	
90	840274	1	• Nipple	
91	834337	1	• Oil filter	
92	872626	1	• Oil cooler	
93	872637	1	• Hose	
94	872638	1	• Hose	
95	192639	2	• Nipple	
96	947624	4	• Gasket	Included in gasket kit.
97	872615	1	• Bracket	
98	961674	2	• Hose clamp	
99	3858156	1	• Dipstick	
100	872608	2	• Hub	
101	872611	2	• Cylinder	
102	978906	1	• Support washer	
103	977917	3	• Plug	
104	947620	3	• Gasket	Included in gasket kit.
105	872577	1	• Oil strainer	
106	1381498	2	• Plug	
107	876588	1	Gasket kit	See group 99
	876591	1	Disc kit	Replaced by 3885079, See group 99
	3885079	1	Disc kit	See group 99
	876589	1	Piston kit	See group 99